

MODEL 9008 AND 9033 PRESSURE REGULATOR INSTALLATION AND MAINTENANCE

Standard Units	“N” Designates	Maximum Supply Pressure	Operating Temperature Range
Relieving	Non-Relieving	250 psi	40°F to 120°F

WARNING! For compressed air service only. Do not use on life support systems or breathing air systems.

INSTALLATION

Install regulators so the air flow is in the direction as indicated on the head of the unit. Regulators should be installed downstream from filter or upstream from lubricators, but as close as possible to the pneumatic tools or appliances being serviced. The regulator will accurately control secondary pressure between 2 and 250 psi (see optional spring kits), maximum primary pressure is 300 psi. The self-bleed feature permits use on dead-end applications.

WARNING! Units are die cast aluminum, do not torque when installing regulator or gauge. Use of Teflon tape is NOT recommended.

OPERATION ADJUSTMENTS

After the regulator is installed, back off pressure adjusting knob before the air is turned on. Turn on the air supply and regulate the adjusting knob until pressure gauge shows the desired pressure. To lock adjusting knob, push down until knob snaps into locking groove. To make regulator tamper-resistant, remove adjusting knob from unit. Regulator may be readjusted by replacing knob.

MAINTENANCE

On detection of air leaks, pressure fluctuation, or “creep” depressurize system and remove bottom cap. Inspect valve seat for damage or wear. Inspect seat in head casting for foreign material or damage. Clean with kerosene and blow out with air. Replace any damaged parts.

If leaks persist, remove bonnet, inspect diaphragm and diaphragm seat for wear or foreign materials.

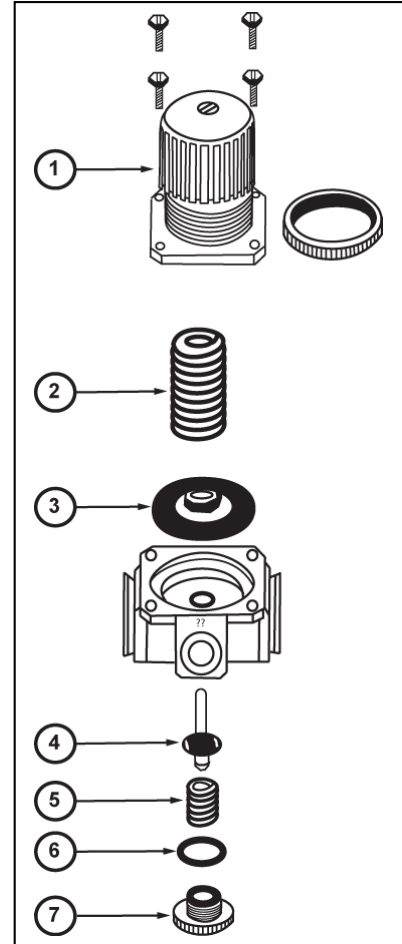
TAMPER-RESISTANT OPTION

The tamper-resistant cap has been provided in the plastic bag to ensure that the reduced pressure cannot be tampered with. To make the unit “tamper-resistant”, proceed as follows:

Turn the adjustment knob until the desired reduced pressure is reached. Remove the adjustment knob by pulling upward. Install the tamper-resistant cap in its place.

NOTE: To make permanently tamper-resistant, LOCTITE the cap into place.

CAUTION: By permanently Loctiting the tamper-resistant cap into place, the pressure adjustment cannot be changed.



Item	Description	Kit Number	Contents
1, 2, 3, 4, 5, 6, 7	Rebuild Kit	900599	Adjusting Knob, Adjusting Screw Assembly, Spring Cage, Screws, Spring (0-125 PSI Range), Relieving Diaphragm, Valve Assembly, O-Rings, Valve Spring, Bottom Plug

For replacement or repair filter and regulator parts, contact EXAIR at 1-800-903-9247 or techhelp@exair.com. Call (513) 671-3322 for outside the US and Canada.

If you have any questions or problems, please contact an EXAIR Application Engineer at:

Toll Free: 1-800-903-9247 (U.S. & Canada)

Telephone: 513 671-3322 outside of U.S. & Canada

Toll Free Fax: 866-329-3924 (U.S. & Canada)

FAX: 513 671-3363 outside of U.S. & Canada

E-mail: techhelp@exair.com

Website: www.exair.com